

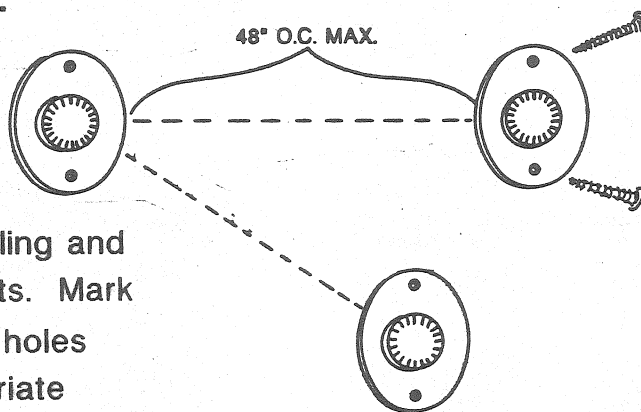
# **RAILOCK**<sup>TM</sup> MOUNTING INSTRUCTIONS

## **Recommendations:**

- \* Consult your local building code for proper height and placement of railing.
- \* This bracket is not intended for exterior use or where high humidity is present.
- \* The oval wall bracket must be fastened securely to wall framing or backing.
- \* Spacing of mounting brackets shall not exceed 48" o.c. and shall not exceed 10" from either end of railing.

## **Wood Stud Wall Installation:**

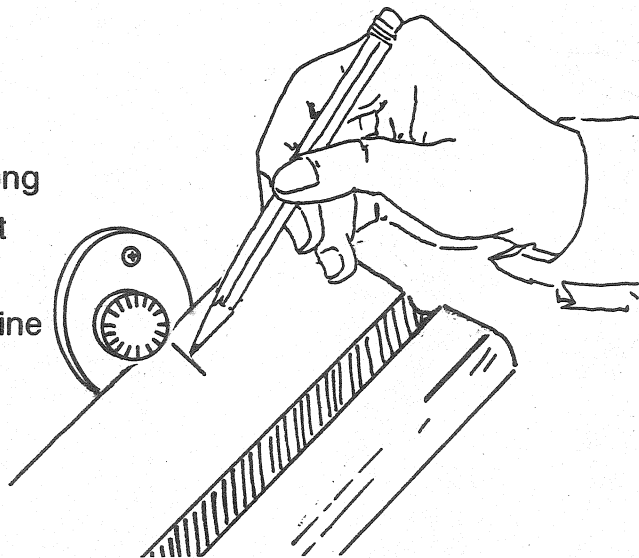
### **Step 1**



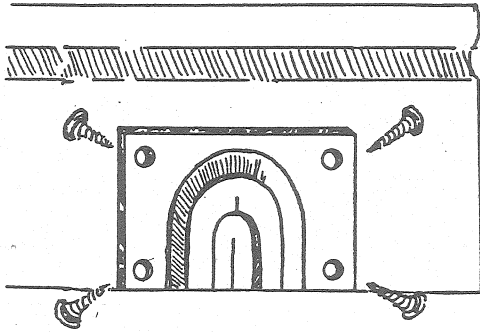
Determine proper height of railing and placement of oval wall brackets. Mark the location of the two screw holes for each bracket. Drill appropriate sized pilot holes and fasten each bracket with two #12 x 2 1/2" screws provided.

### **Step 2**

Hold the railing up to the mounting head of the wall bracket. Select the closest "line-up" mark that touches the railing and draw a line square with the railing. Use a square to extend the line 1 1/2" from the bottom of railing.

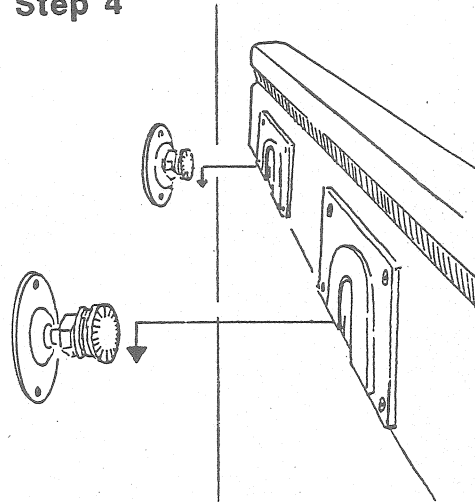


### Step 3

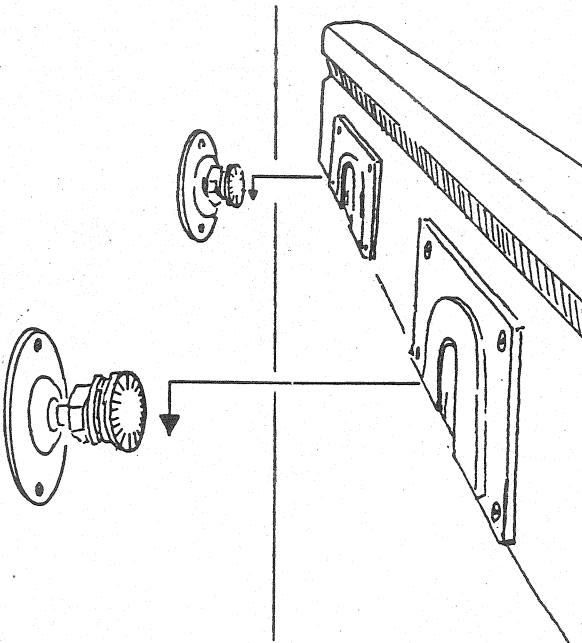


Place the rail pieces flush with bottom of railing so that the "scribe mark" lines up with each line on the railing. Mark the location of the four screw holes for each rail piece. Drill appropriate sized pilot holes and fasten each piece with four #10 x 1" screws provided.

### Step 4



With the clamping nut backed off, slip the handrail and rail piece assembly onto the oval wall bracket so that the rail piece goes over the mounting head of the wall bracket. Now tighten the clamping nut against the rail piece with an open-ended wrench.



#### Concrete or Masonry Wall Installation:

Same as above, except use 1/4" x 1 1/2"(min.) sleeve or wedge type anchors instead of the #12 x 2 1/2" screws.

#### Steel Stud Wall Installation:

During construction install wood backing in locations of the oval wall brackets. Retrofit same as above, except use two 1/4" toggle bolts per oval wall bracket instead of the #12 x 2 1/2" screws.

**RAILOCK™**  
**STRONG & EASY TO INSTALL**

Detailed Instructions Inside 

THERE ARE NO EXPRESS OR IMPLIED WARRANTIES. ALL WARRANTIES, EXPRESS OR IMPLIED, INCLUDING THE IMPLIED WARRANTY OF MERCHANTABILITY AND FITNESS FOR A PARTICULAR PURPOSE ARE HEREBY DISCLAIMED BY RAILOCK, INC.. RAILOCK, INC., DISCLAIMS ANY RESPONSIBILITY FOR PERSONAL INJURY, AND ANY INCIDENTAL OR CONSEQUENTIAL DAMAGES RESULTING FROM THE USE OF THIS PRODUCT, AND IN NO EVENT WILL RAILOCK, INC., BE RESPONSIBLE FOR SUCH DAMAGES.